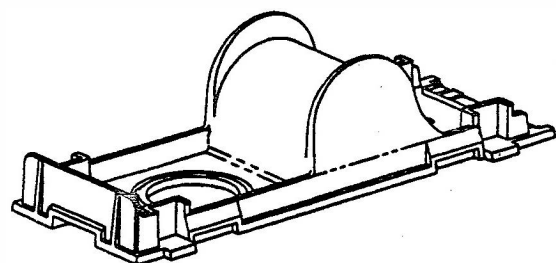
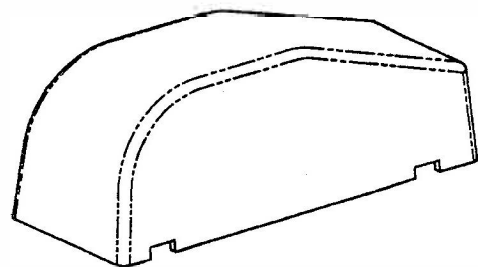
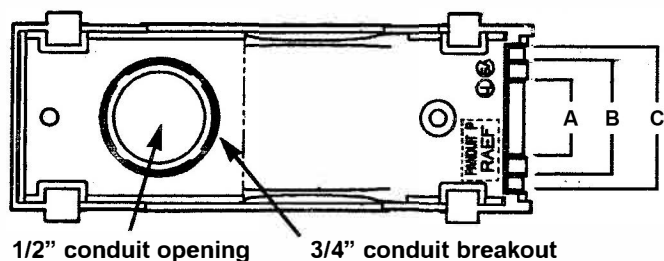


G

Part Number: RAEFX

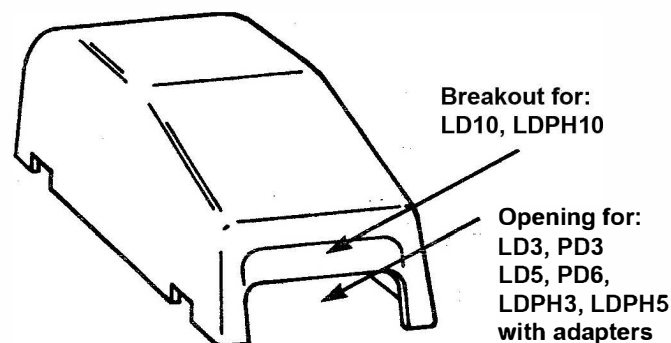


Low voltage or power applications up to 600V



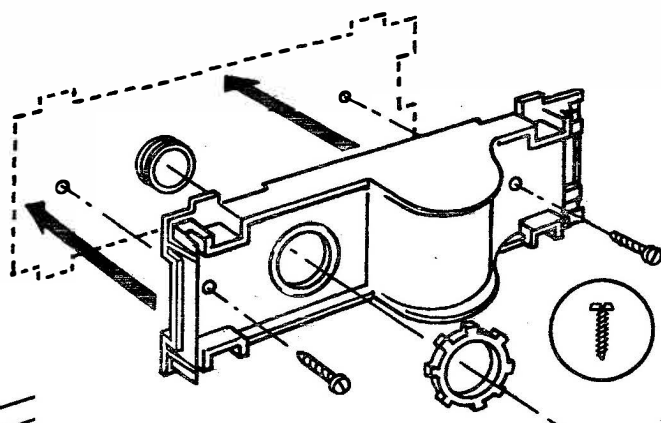
1/2" conduit opening 3/4" conduit breakout

Raceway Breakout	Used with PAN-WAY™ Raceway	Adapters
A	LD3, LDPH3	CA3
A	PD3	BA3
B	LD5, LDPH5	CA5
B	PD6	BA6
C	LD10, LDPH10	N/A

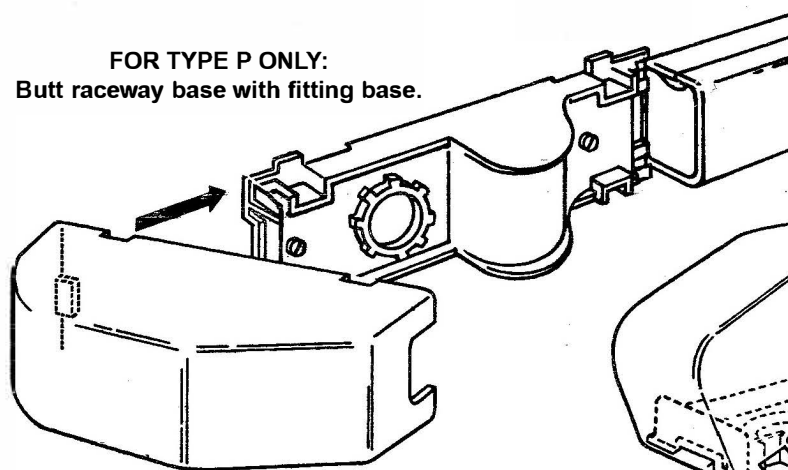


Breakout for: LD10, LDPH10

Opening for: LD3, PD3, LD5, PD6, LDPH3, LDPH5 with adapters



FOR TYPE P ONLY:
Butt raceway base with fitting base.



Arrow Wire & Cable | arrowwire.com
Southern CA/AZ: 800.659.3655
Northern CA: 866.227.7699
Email: marketing@arrowwire.com

PANDUIT

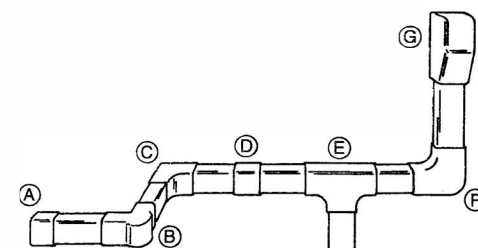
PAN-WAY SURFACE RACEWAY
TIA/EIA COMPLIANT FITTINGS



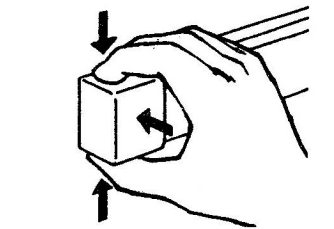
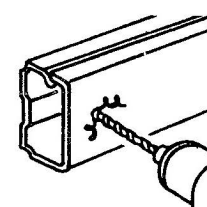
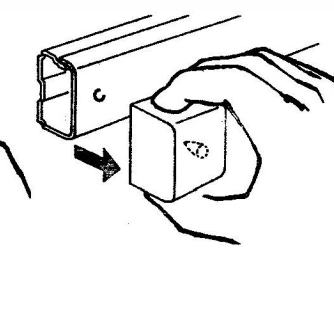
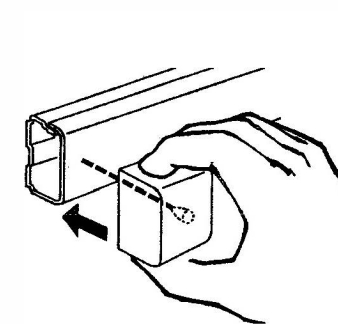
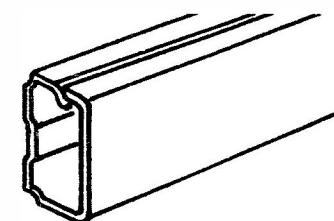
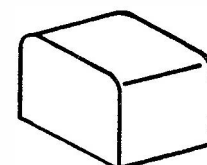
© Panduit Corp. 2011

INSTALLATION INSTRUCTIONS

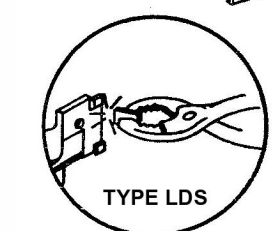
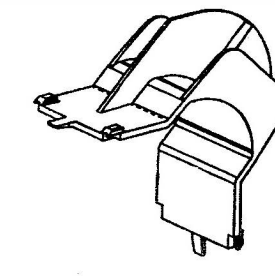
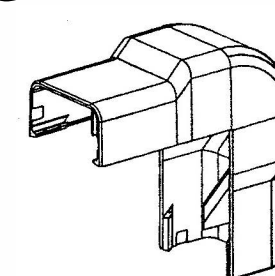
PN26



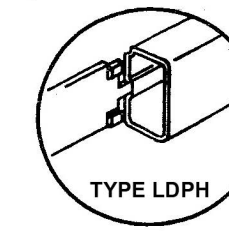
A Part Numbers: ECFX3, ECFX5, ECFX10



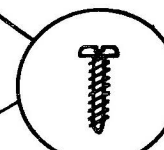
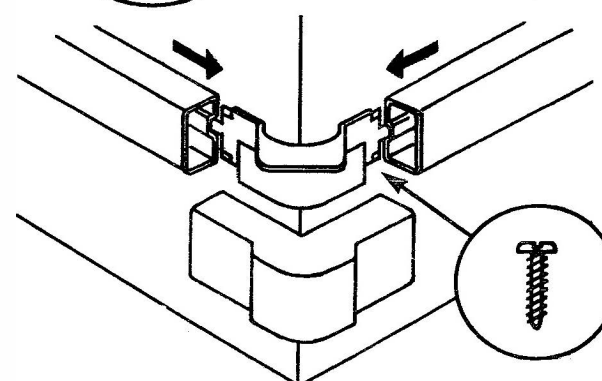
B Part Numbers: OCFX3, OCFX5, OCFX10



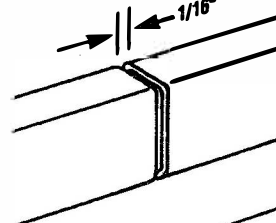
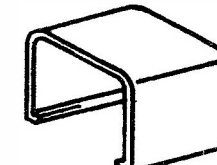
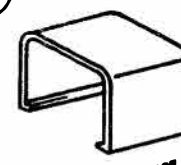
TYPE LDS



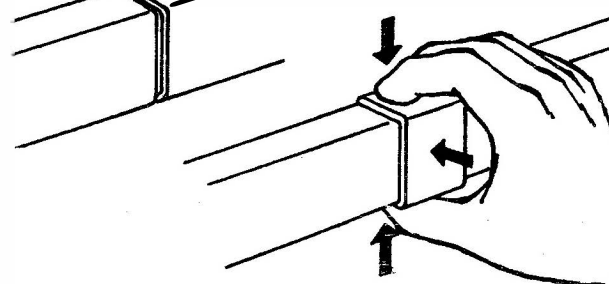
TYPE LDPH



D Part Numbers: CFX3, CFX5, CFX10



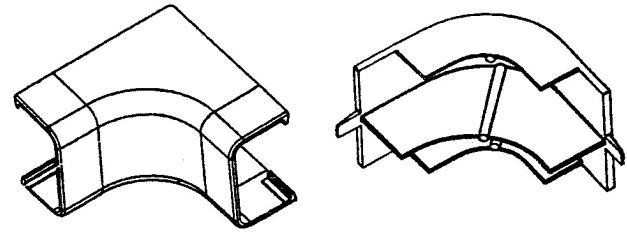
1/16"



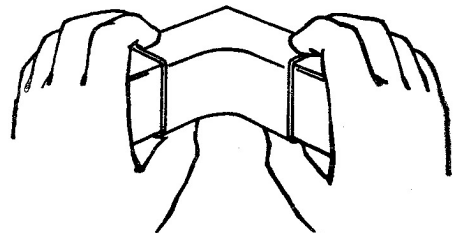
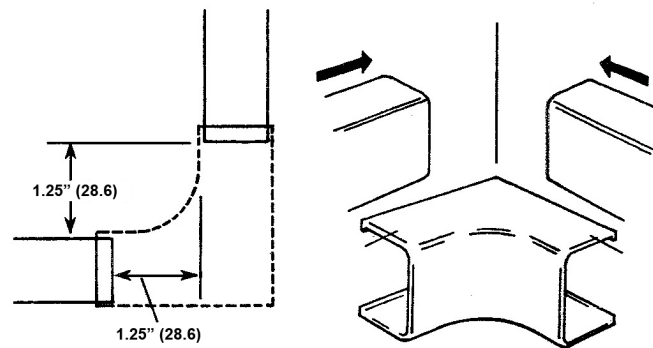
A, B, D

Low voltage or power applications up to 600V

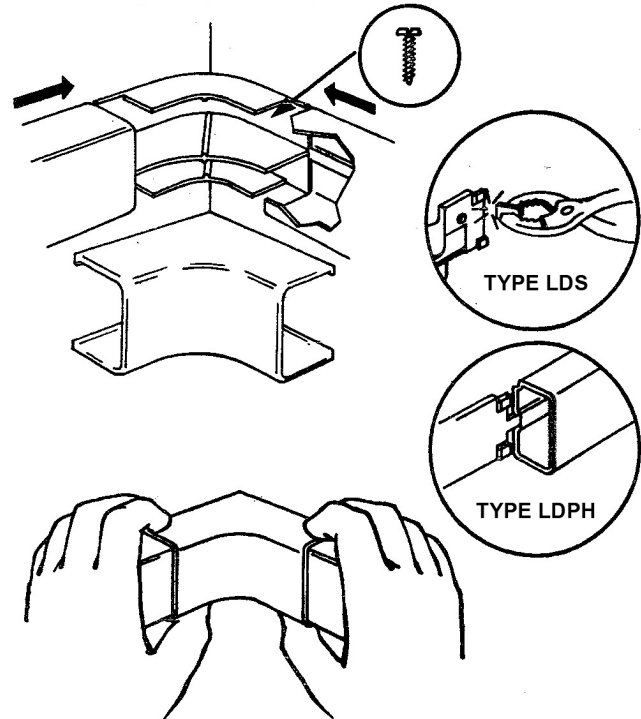
C Part Numbers: ICFC3, ICFC5, ICFC10
 Part Numbers: ICFX3, ICFX5, ICFX10



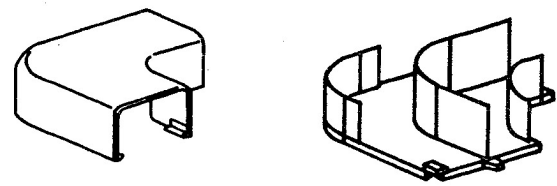
Low voltage applications (Cover only)



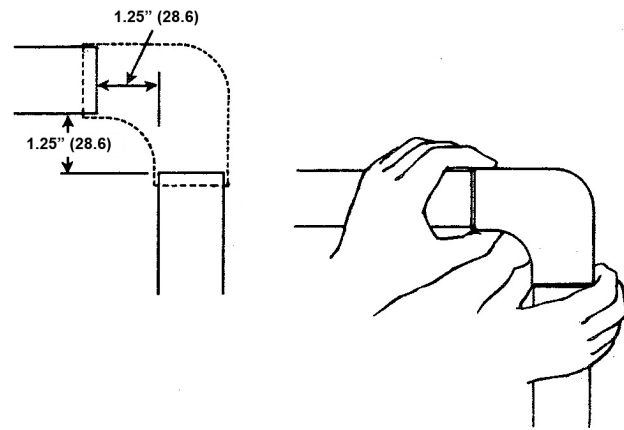
Low voltage or power applications up to 600V



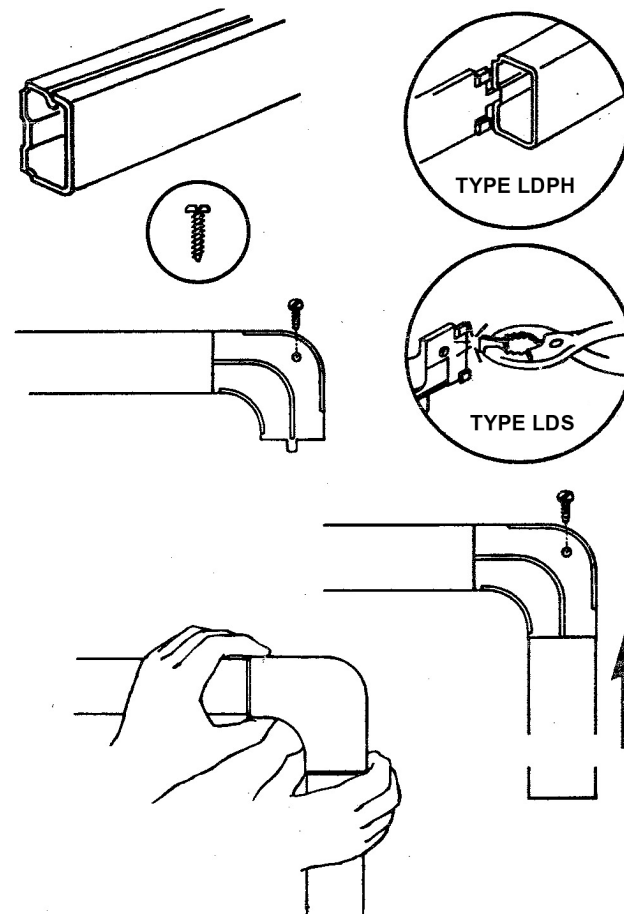
F Part Numbers: RAFC3, RAFC5, RAFC10
 Part Numbers: RAFX3, RAFX5, RAFX10



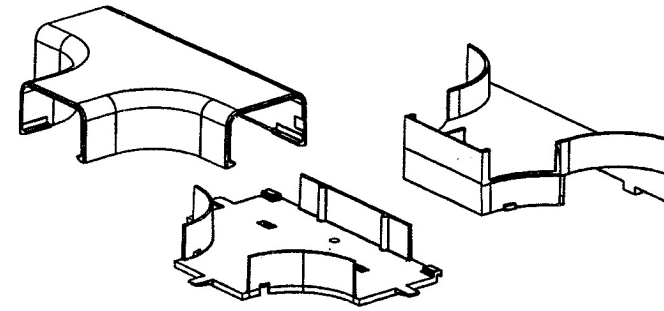
Low voltage applications (Cover only)



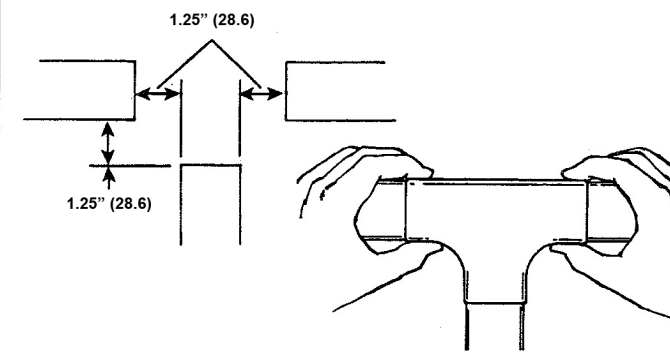
Low voltage or power applications up to 600V



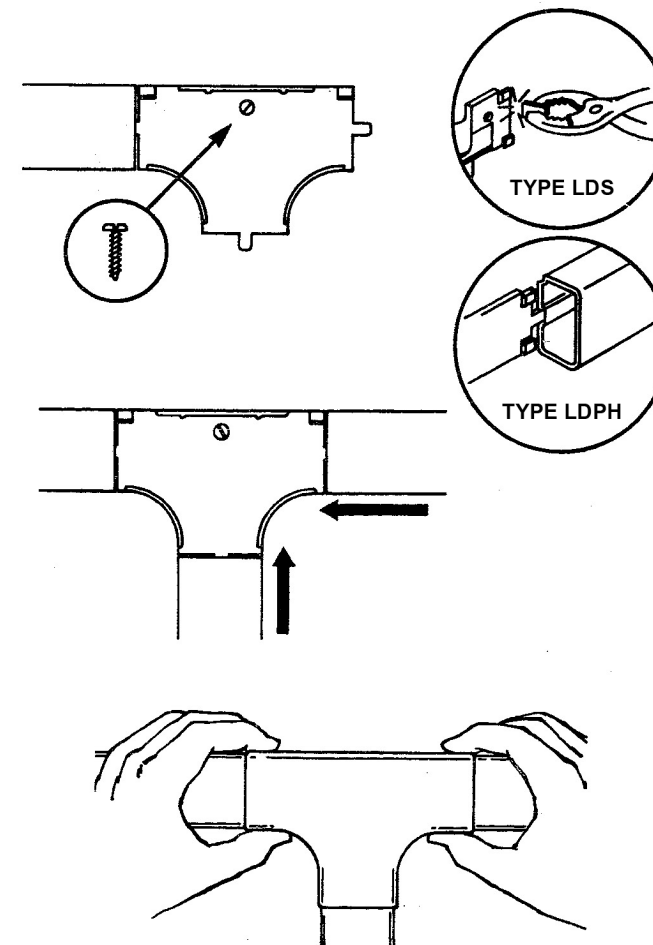
E Part Numbers: TFC3, TFC5, TFC10
 TFX3, TFX5, TFX10, TFXD10



Low voltage applications (Cover only)



Low voltage or power applications up to 600V



Low voltage or power applications up to 600V

